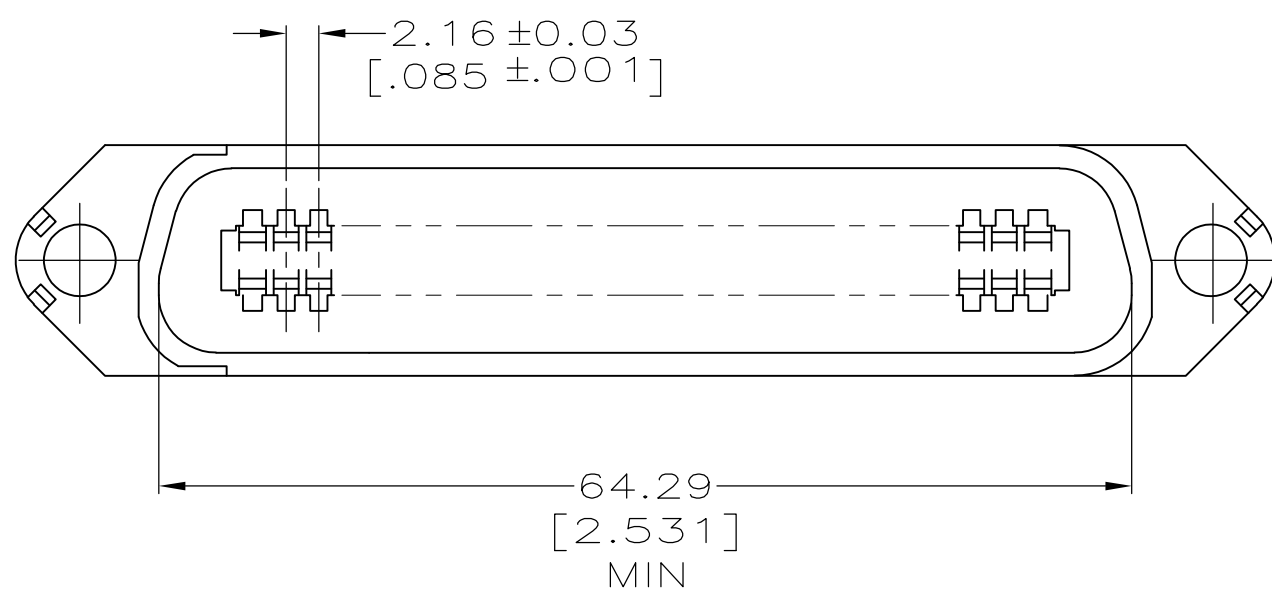
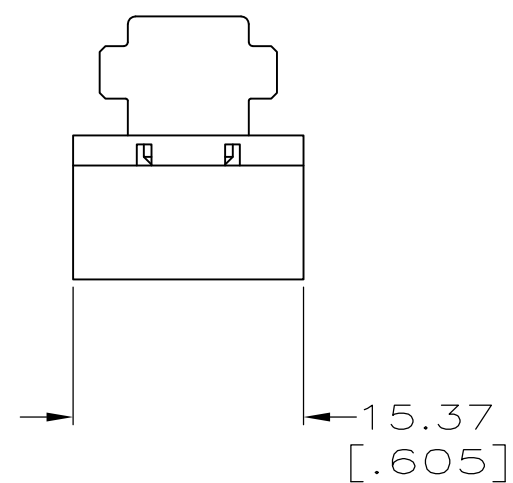
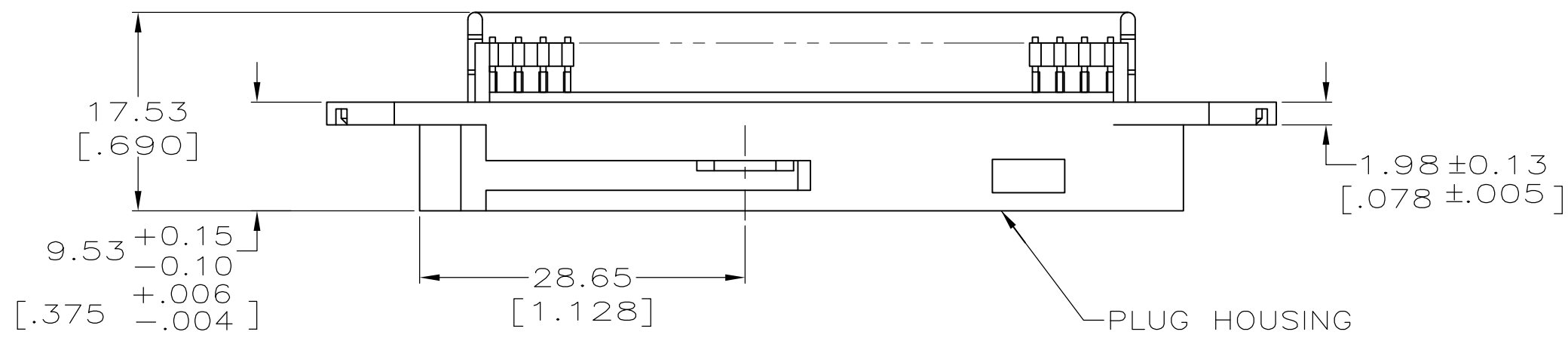
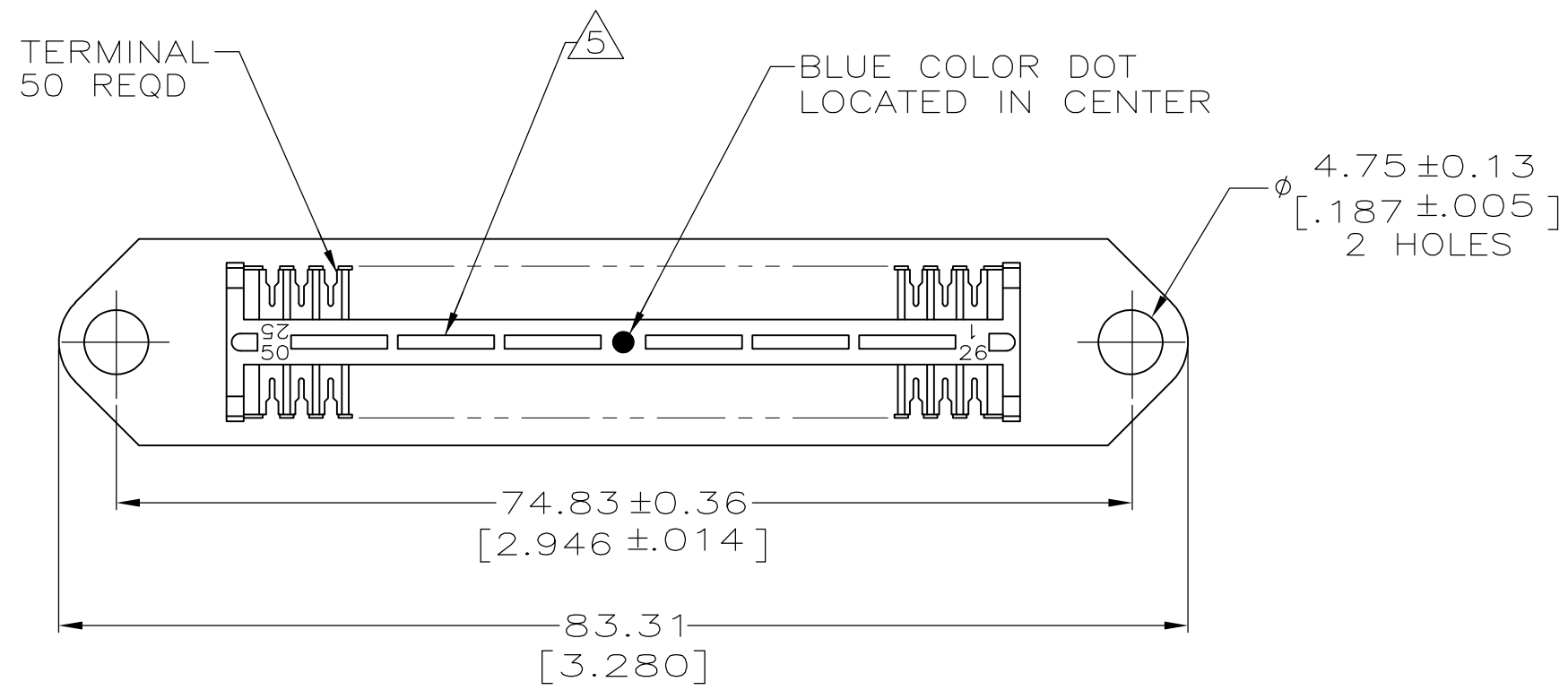


THIS DRAWING IS UNPUBLISHED. RELEASED FOR PUBLICATION  
 © COPYRIGHT BY TYCO ELECTRONICS CORPORATION. ALL RIGHTS RESERVED.

LOC	DIST	REVISIONS					
GP	00	P	LTR	DESCRIPTION	DATE	DWN	APVD
		K		REVISED PER ECO-08-007327	05SEP08	BM	WM



1. THE CONTACT SURFACES OF THE TERMINALS ARE COATED WITH LUBRICANT.

2. DIMENSIONS SHOWN ARE MAXIMUM UNLESS OTHERWISE SPECIFIED.

3. MATERIAL: HOUSING - THERMOPLASTIC  
 TERMINAL - HIGH STRENGTH COPPER ALLOY PLATED WITH  $0.76\mu\text{m}$   $[.000030]$  MIN GOLD OR GOLD FLASH OVER PALLADIUM NICKEL PLATE,  $0.76\mu\text{m}$   $[.000030]$  MIN TOTAL ON MATING SURFACE, OVER  $1.27\mu\text{m}$   $[.000050]$  MIN NICKEL PLATING.

4. WIRE SIZE: 24 & 26 SOLID OR 24 AWG 7 STRANDS OF COPPER CONDUCTORS. MAX INSULATION DIAMETER OF .045 IS ACCEPTABLE FOR MOST APPLICATIONS.

5. CORING MAY OR MAY NOT APPEAR AND IS AT THE DISCRETION OF AMP INCORPORATED.

GRAY	552686-2
BLACK	552686-1
COLOR	PART NUMBER

THIS DRAWING IS A CONTROLLED DOCUMENT.		DWN	2-15-94	Tyco Electronics Corporation	
DIMENSIONS: mm [INCHES]		CHK	3-28-94	Harrisburg, PA 17105-3608	
TOLERANCES UNLESS OTHERWISE SPECIFIED:		APVD	3-28-94	NAME	
0 PLC	$\pm$ -	PRODUCT SPEC		ASSEMBLY, PLUG, 50 POSITION, B SLOT, (CHAMP-LOK, THIN FLANGE WITH .187 DIAMETER HOLES)	
1 PLC	$\pm$ -	APPLICATION SPEC		SIZE	CAGE CODE
2 PLC	$\pm$ -			A2	00779
3 PLC	$\pm$ -			DRAWING NO	C=552686
4 PLC	$\pm$ -			RESTRICTED TO	-
ANGLES	$\pm$ -	WEIGHT	-	SCALE	2:1
FINISH	$\pm$ -	CUSTOMER DRAWING		SHEET	1 OF 1
				REV	K